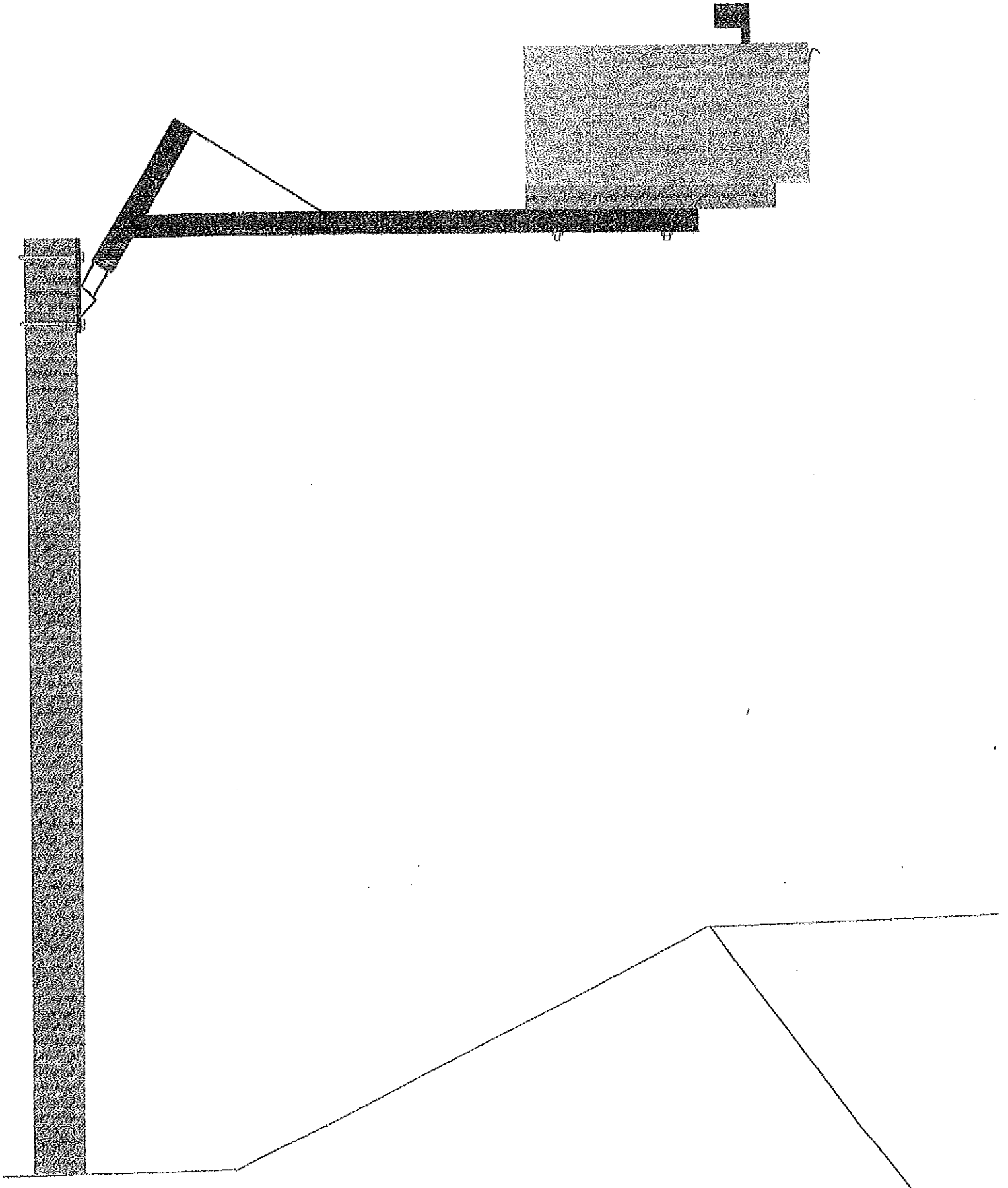


Wood Mounted Swing-Away Mailbox Stand



Wood Mounted Swing-Away Mailbox Stand

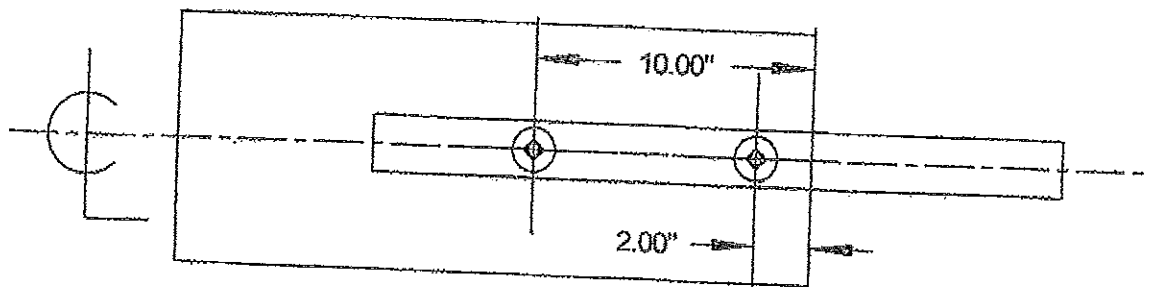
This stand is designed for T-1, T-2, and T-3 standard steel mailboxes.

Materials needed:

- Mail box of desired size and mounting screws.
- 1-4"x4"x8' treated or other rot resistant post.
- A box base, also treated; T-1 box - 1 1/2"x6"x17 1/2"
T-2 box - 1 1/2"x7 1/4"x19 "
T-3 box - 1 1/2"x10 3/4"x21"

Assembly instructions

Drill two 7/16" holes in the box base as shown.

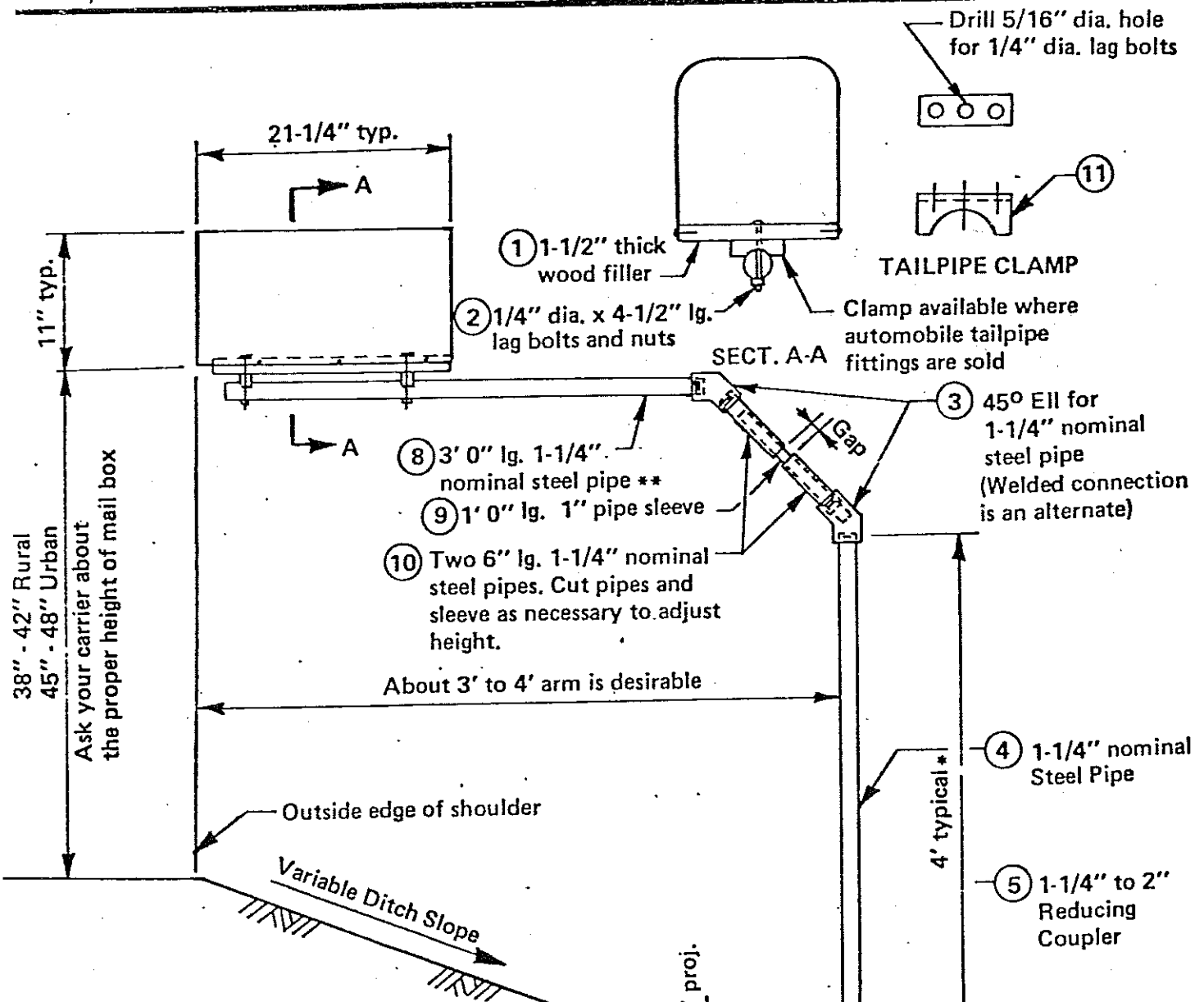


Use the centerline and hole pattern for all box sizes.

Mount the box base to the top of the swing tube, using the two 3/8"x4" carriage bolts.

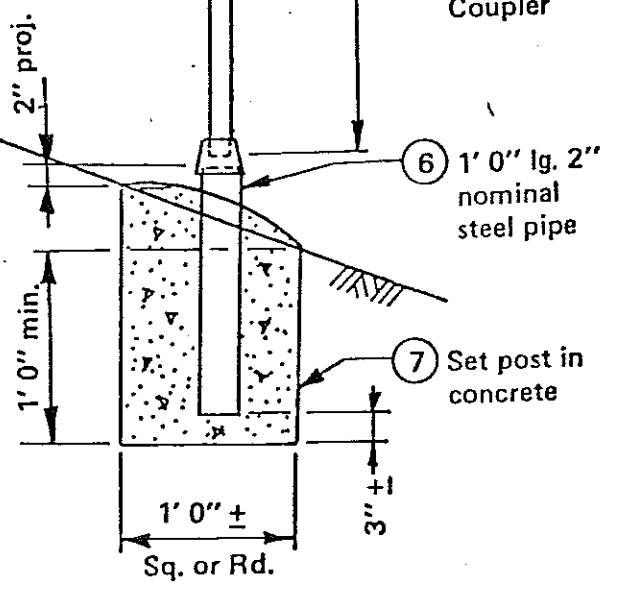
The front of the mailbox will extend from the face of the post 46" with a T-1, 48" with a T-2, and 49" with a T-3.

After the post is set, attach the pivot base to the post with the U-bolts, leaving them loose enough to slide the pivot base up or down. Set the swing tube on the pivot base and slide the assembly, so that the top of the box base is the proper height (Determined by your local post office) above the road. Tighten the U-bolts and attach the mailbox.



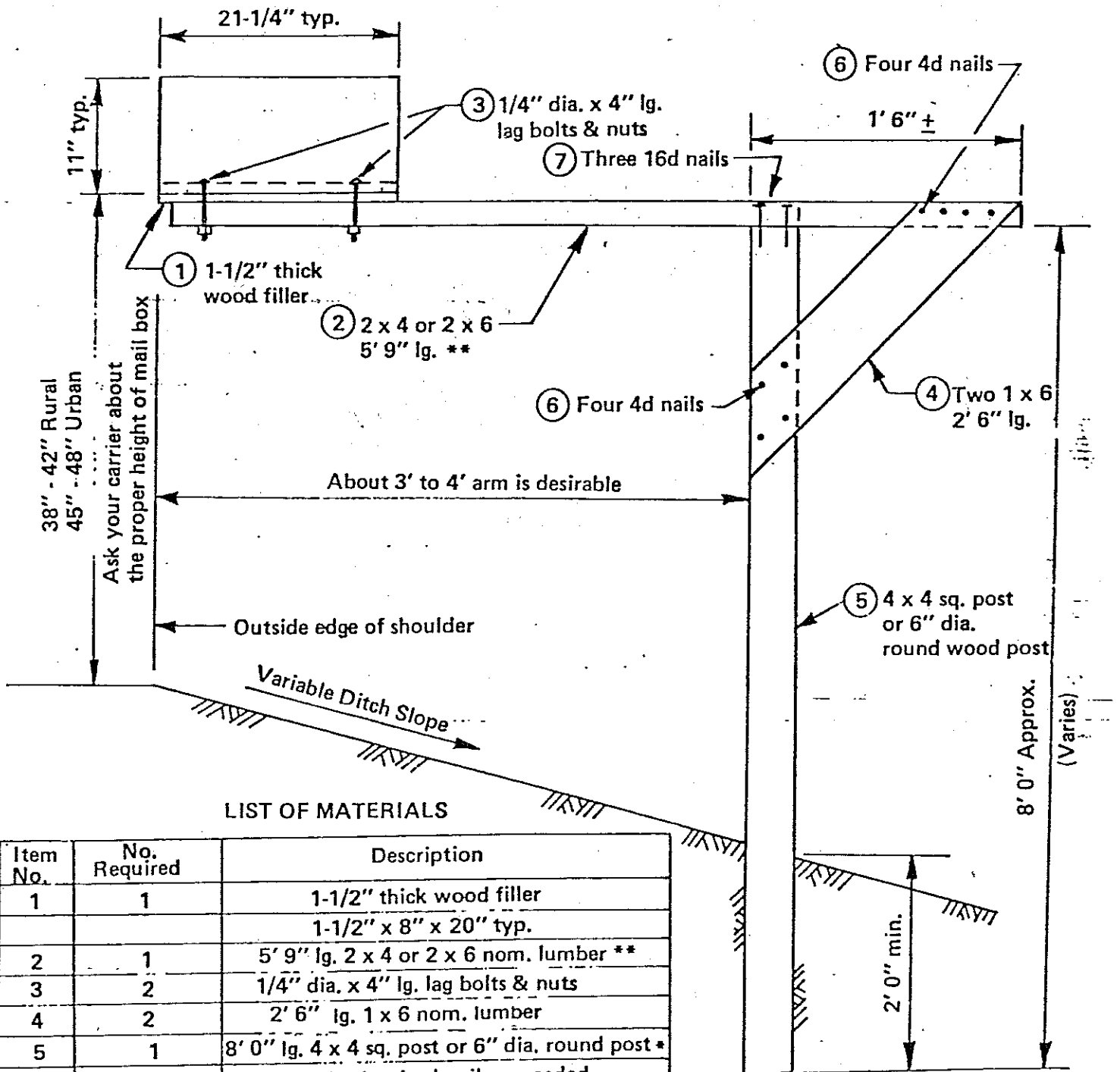
LIST OF MATERIALS

Item No.	No. Required	Description
1	1	1-1/2" thick wood filler 1-1/2" x 8" x 20" typ.
2	2	1/4" dia. x 4-1/2" lg. lag bolts & nuts
3	2	45° EII for 1-1/4" nominal steel pipe
4	1	4' 0" lg. 1-1/4" nominal steel pipe *
5	1	1-1/4" to 2" reducing coupling
6	1	1' 0" lg. 2" nominal steel pipe
7	1	Sack of premix concrete
8	1	3' 0" lg. 1-1/4" nominal steel pipe **
9	1	9" lg. 1" nominal steel pipe
10	2	6" lg. 1-1/4" nominal steel pipe
11	2	1-1/4" tail pipe clamps



* 4' typ. for 48" above roadway shoulder length may vary according to ditch slope
 ** For 4 ft. arm

RECOMMENDED MAIL BOX SUPPORT



LIST OF MATERIALS

Item No.	No. Required	Description
1	1	1-1/2" thick wood filler 1-1/2" x 8" x 20" typ.
2	1	5' 9" lg. 2 x 4 or 2 x 6 nom. lumber **
3	2	1/4" dia. x 4" lg. lag bolts & nuts
4	2	2' 6" lg. 1 x 6 nom. lumber
5	1	8' 0" lg. 4 x 4 sq. post or 6" dia. round post *
6		4d galvanized nails as needed.
7		16d galvanized nails as needed.

*Length may vary according to ditch slope

** For 4 ft. arm

RECOMMENDED MAIL BOX SUPPORT
(WOOD POST)